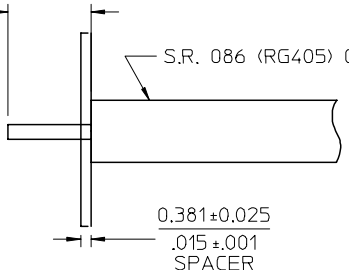
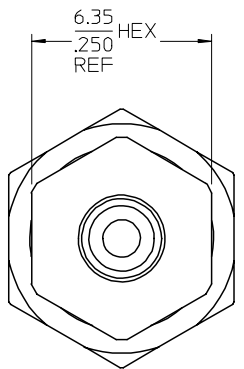
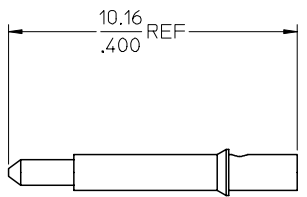
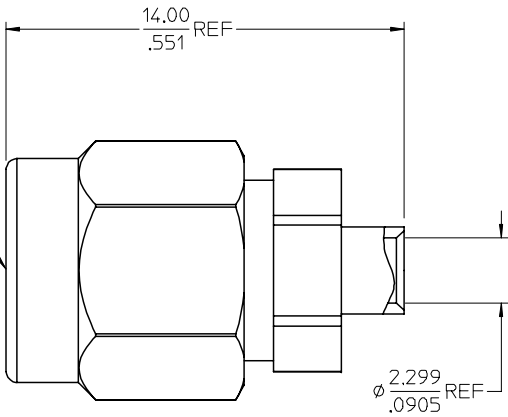
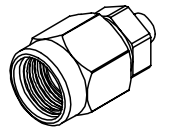
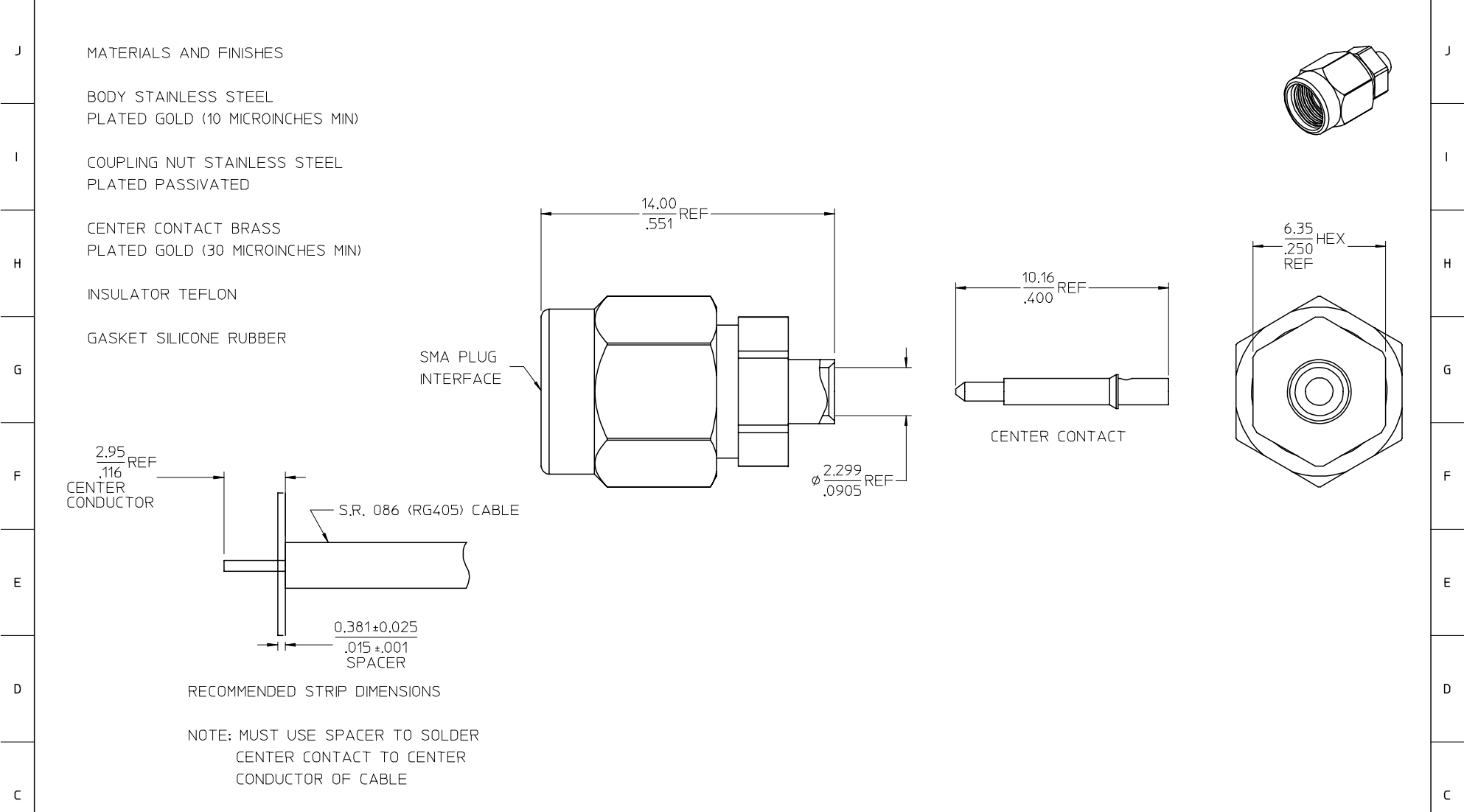


13 12 11 10 9 8 7 6 5 4 3 2 1



RECOMMENDED STRIP DIMENSIONS

NOTE: MUST USE SPACER TO SOLDER CENTER CONTACT TO CENTER CONDUCTOR OF CABLE

MIL-STD-348A, FIG. 310.1	INTERFACE
SPECIFICATION	DESCRIPTION

PART # 73251-2430

<p><b>A</b></p> <p>UNLESS OTHERWISE SPECIFIED DIMS ARE MILLIMETERS AND ANGLES ARE DEGREES.</p> <ul style="list-style-type: none"> <li>• ALL OVER.</li> <li>• NO CHATTER OR NON-UNIFORM SURFACE FINISH ALLOWED.</li> <li>• PARTS TO BE FREE OF BURRS &amp; SHARP EDGES 0,13(,005) MAX BREAK.</li> <li>• EXTERNAL THREADS TO BE ROLLED OR SINGLE POINT.</li> <li>• DIAMETERS TO BE CONCENTRIC WITHIN 0,08(,003) TIR.</li> </ul>	<p><b>B</b></p> <p>CHG: REDREW TO SHOW NEW CONT &amp; STRIPPING CABLING INSTRS. CONTACT MAT'L WAS BERYLLIUM COPPER.</p> <p>EC NO: URF2005-0350</p> <p>DRW: JARROBERTSON 2005/02/24</p> <p>CHKD: SHAH 2005/02/24</p> <p>APPR: JMLENER 2005/02/27</p>	<p>QUALITY SYMBOLS</p> <p>▽=0</p> <p>▽=0</p>	<p>GENERAL TOLERANCES (UNLESS SPECIFIED)</p> <table border="1"> <thead> <tr> <th></th> <th>mm</th> <th>INCH</th> </tr> </thead> <tbody> <tr> <td>4 PLACES</td> <td>± .---</td> <td>± .---</td> </tr> <tr> <td>3 PLACES</td> <td>± .---</td> <td>± .---</td> </tr> <tr> <td>2 PLACES</td> <td>± .---</td> <td>± .---</td> </tr> <tr> <td>1 PLACE</td> <td>± .---</td> <td>± .---</td> </tr> <tr> <td colspan="3">ANGULAR ± 1 °</td> </tr> </tbody> </table>			mm	INCH	4 PLACES	± .---	± .---	3 PLACES	± .---	± .---	2 PLACES	± .---	± .---	1 PLACE	± .---	± .---	ANGULAR ± 1 °			<p>DIMENSION STYLE</p> <p>MM/IN</p>		<p>SCALE</p> <p>DESIGN UNITS</p> <p>METRIC</p>	<p>THIRD ANGLE PROJECTION</p>	
				mm	INCH																						
			4 PLACES	± .---	± .---																						
			3 PLACES	± .---	± .---																						
2 PLACES	± .---	± .---																									
1 PLACE	± .---	± .---																									
ANGULAR ± 1 °																											
			<p>DRAWN BY</p> <p>TEF</p>	<p>DATE</p> <p>2005/01/26</p>	<p>TITLE</p> <p>SMA PLUG, STR FOR RG405 50 OHMS, EWR-2409 SMA-PC</p>																						
			<p>CHECKED BY</p> <p>SSS</p>	<p>DATE</p> <p>2005/01/26</p>	<p>MATERIAL NO.</p> <p>732512430</p>																						
			<p>APPROVED BY</p> <p>JDW</p>	<p>DATE</p> <p>2005/01/26</p>	<p>DOCUMENT NO.</p> <p>SD-73251-243</p>		<p>SHEET NO.</p> <p>1 OF 1</p>																				

12 11 10 9 8 7 6 5 4 3 2 1